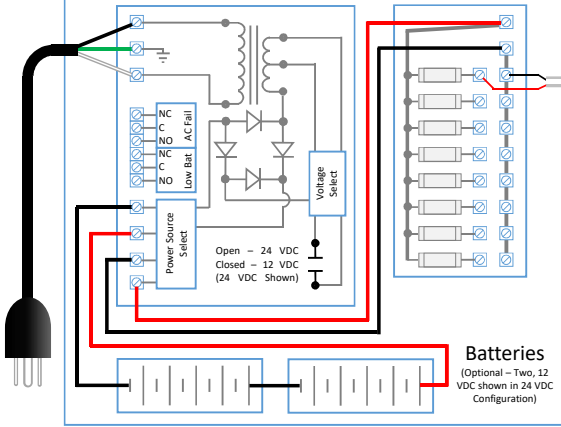


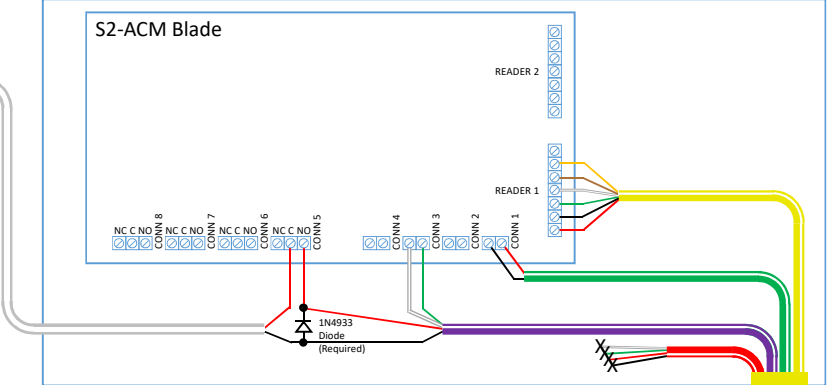
Central Power Supply

(In Telecom Closet)



S2 Node

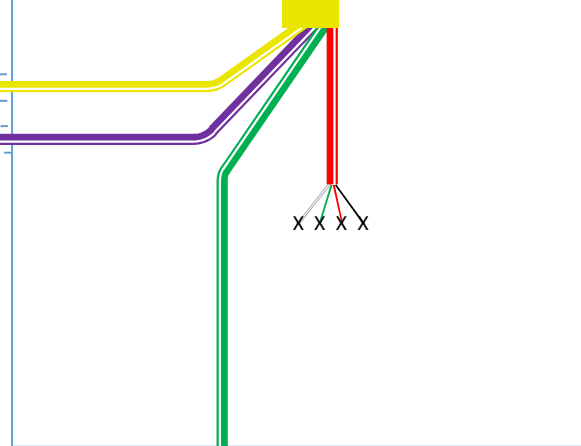
(In Telecom Closet)



500' Cable Maximum
(Including portion to door components)

Junction Box

(Required - 6" x 6" x 4" Above Door)



1" Conduit to Specified Cable Pathway
(Required - See Technology Drawings)

3/4" Conduits
(Required)

3/4" Conduit
(Required)

Door 1 Position Switch
(Required)

Electrified Mortice Lock
(Required - Fail Secure, Locked if no power present)

Power Transfer
(Required)

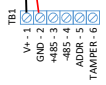
Request to Exit
(Required - Exiting Side)

Dog Position Switch
(Optional)

Door 1

FeliCa Card Reader

(Required)



Single Gang Box
(Required)

Note: A single gang box or a double gang box with a reducer is required. Skinner readers that fit directly on door frames or narrow "storefront members" are not currently available.